



Trusted Cooling Partner

SOLUTION FOR COMPLETE
DAIRY PROCESSING PLANT



MILK

CURD, BUTTERMILK,

LASSI, CREAM

GHEE, BUTTER

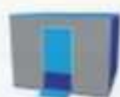
PANEER & CHEESE

FLAVOURED

CHOCOLATE

MILK

**ICECREAM
PROCESSING**



Cold Room /
Storage



Industrial
Refrigeration



Commercial
Refrigeration



Transport
Refrigeration



Ammonia
Refrigeration



Dairy
Refrigeration



Trusted Cooling Partner

Company Profile

Ice Make Refrigeration Limited has been successful satisfying the needs of its customers, from production to after - sales services, since 1993. The Company is engaged in the business of providing customized cooling solutions to diverse set of clients across wide range of industries by manufacturing and exporting high quality Dairy, Refrigeration products & equipment.

Ice Make Refrigeration Limited provides solution for Dairy Processing Plants with special attention to Farmers and Entrepreneurs. We provide solution for milk process and it's by products for a Capacity ranging of 100 LPH to 10,000 LPH.

Ice make Dairy Plant is designed for ease of operation. It is designed keeping in mind importance of time and energy. Our Dairy Plant is constructed using high grade SS-304 and SS-316 steel. The plant is designed for Multi Product, Multi Temperature. The plant is designed, fabricated and executed by segment experts under proven quality standards.

Ice Make has state-of-the-art manufacturing facilities located in Ahmedabad (Gujarat) and Chennai (Tamil Nadu). We operate under five key business verticals which include Cold Room, Commercial Refrigeration, Industrial Refrigeration, Transport Refrigeration and Amonia Refrigeration.

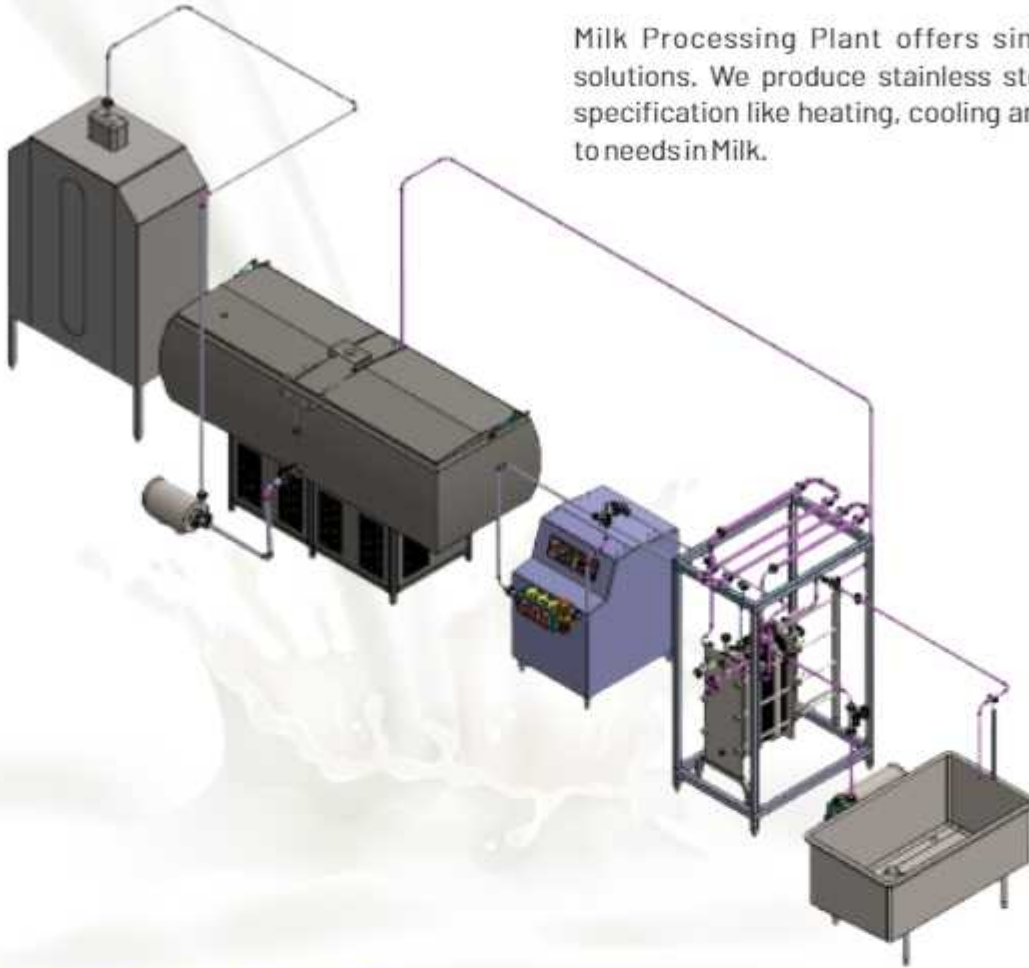
VISION

Create Ice Make Brand as an Industry leader in offering total cold chain and food processing solution with energy saving & eco-friendly products and excellent after sales service.

MISSION

Dedicately produce high quality end-to-end customized cooling solutions for divers set of customers across the industries and consistently exceed customer's expectations through quality on-time delivery and after sales services.





Milk Processing Plant offers simple and functional solutions. We produce stainless steel tanks in different specification like heating, cooling and isolation according to needs in Milk.

Application & Solution We Serve





Can Tipping Bar &
Can Drip Saver



Weighing Bowl
(500 Ltr)



Dump Tank with
Wheel (500-2000 Ltr)



Filter



Milk Pump



PHE Chiller

MINI DAIRY PLANT Mini Capacity (200 to 500 LPH)

Ice Make Pasteurization is design to the process of heating milk and then quickly cooling it down to eliminate certain bacteria. The purpose is to make the product safe for consumption and to lengthen product shelf life. Ice Make supply the best quality product by using effective manufacturing technology by following good standards. These are available at good market prices.

Features:

- Highly Durable
- Good Quality Raw Material
- MOC AISI(304, 304I, 316, 316I)
- Reliable & Optimal
- Excellent Finish
- Affordable Price

Multipurpose plant Hot Water / Steam

Temperature Program

4/30 - 45/55 - 70/72 - 80/90 - 4/45 °C

Daily Milk Handling Capacity

5000 ltr/day

Product Range

Milk, Paneer, Curd



Medium Capacity Dairy Plant (1000 to 3000 LPH)



Multipurpose plant
Hot Water / Steam

Temperature Program
4/30 - 45/55 - 70/72 - 80/90 - 4/45 °C

Daily Milk Handling Capacity
30000 ltr/day

Product Range
Milk, Paneer, Curd



Higher Capacity Dairy Plant (5000 to 20000 LPH)



Multipurpose plant
Hot Water / Steam

Temperature Program
4/30 - 45/55 - 70/72 - 80/90 - 4/45 °C

Daily Milk Handling Capacity
50000 ltr/day

Product Range
Milk, Paneer, Curd



Vertical Milk Storage Tanks (VMST)



Vertical Tanks

Capacity

30,000 Ltr.

Vertical Tanks

Capacity

10,000 Ltr.



Technical Specification for VMST Tank

Model	UOM	VMST 0500	VMST 1000	VMST 2000	VMST 3000	VMST 5000	VMST 10000	VMST 15000	VMST 20000	VMST 25000	VMST 30000	VMST 40000
Capacity	Libre	500	1000	2000	3000	5000	10000	15000	20000	25000	30000	40000
Inner Diameter	mm	950	1250	1400	1620	1700	2200	2200	2610	2610	2800	2800
Outer Diameter	mm	1060	1410	1560	1780	1860	2410	2410	2820	2820	3010	3210
Total Height	mm	1900	2250	2600	2900	3500	3700	4600	4700	5600	5900	7400
Inner MOC		SS-304	SS-304	SS-304	SS-304	SS-304	SS-304	SS-304	SS-304	SS-304	SS-304	SS-304
Outer MOC		SS-304	SS-304	SS-304	SS-304	SS-304	SS-304	SS-304	SS-304	SS-304	SS-304	SS-304
Agitator Mounting		Top	Top	Top	Top	Top	Top	Side	Side	Side	Side	Side
Manhole Type		NA	Top	Top	Top	Top	Side	Side	Side	Side	Side	Side
Door Position		Top	Top	Top	Top	Top	Side	Side	Side	Side	Side	Side
Inlet Connection	mm	38	38	38	38	51	51	51	63	63	63	63
Outlet Connection	mm	38	51	51	51	51	51	63	63	63	63	63
Spray Ball	Nos.	2	2	2	2	2	2	2	2	2	2	2
Ladder		NA	YES	YES	YES	YES	YES	YES	YES	YES	YES	YES
Light with Sight Glass		NA	YES	YES	YES	YES	YES	YES	YES	YES	YES	YES
Air Vent		NA	YES	YES	YES	YES	YES	YES	YES	YES	YES	YES
Leg	Nos.	4	4	4	4	4	YES	Without Leg	Without Leg	Without Leg	Without Leg	Without Leg

Horizontal Milk Storage Tank (HMST)

With the assistance of our professionals, we are proficient in providing HMST and VMST Milk Storage Tank. HMST and VMST are insulated tanks, used for storing chilled milk at milk chilling centers. Due to its good design and insulation, the temperature of the milk is maintained and the milk is held in it until further processing.

Due to their easy operation and longer operational life, these equipment are highly admired in dairy industry.

Features:

- Low maintenance
- Easy installation
- Longer service life
- Maintains stored milk temperature for up to 24 hours
- Sturdy construction
- Corrosion resistant
- High tensile strength



Horizontal Tanks

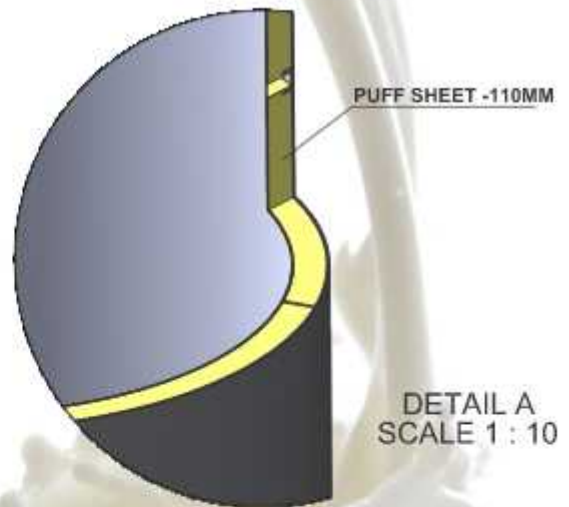
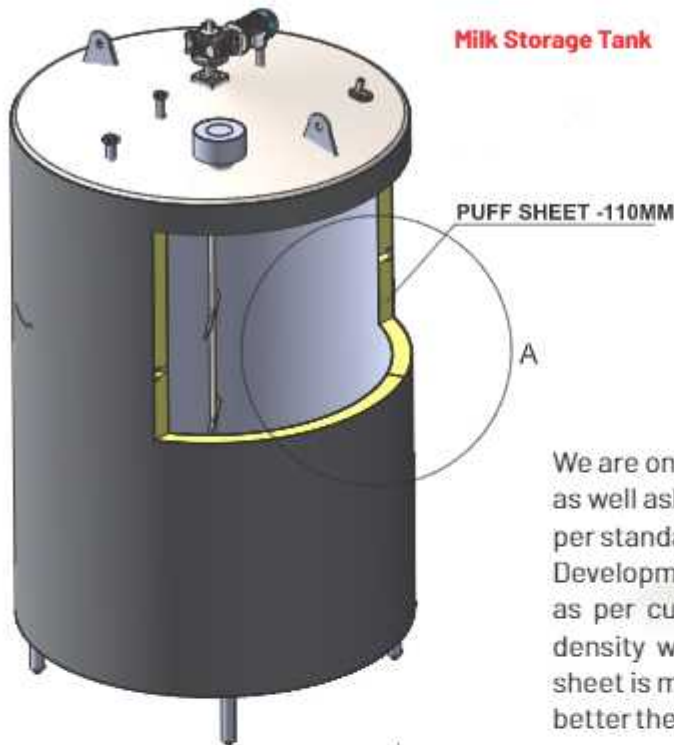
Capacity

10,000 Ltr.

Technical Specification for HMST (Single Comp.) Tank

Model	UOM	HMST(DC) 3KL	HMST(DC) 4KL	HMST(DC) 5KL	HMST(DC) 6KL	HMST(DC) 10KL	HMST(DC) 12KL	HMST(DC) 20KL
Capacity	Litre	3000	4000	5000	6000	10000	20000	20000
Inner Diameter	mm	1458	1458	1808	1808	2188	2120	2188
Outer Diameter	mm	1612	1612	1962	1962	2412	2342	2412
Total Height	mm	2000	2200	2300	2300	2600	2850	2850
Inner MOC		SS-304	SS-304	SS-304	SS-304	SS-304	SS-304	SS-304
Outer MOC		SS-304	SS-304	SS-304	SS-304	SS-304	SS-304	SS-304
Agitator Mounting		Top	Top	Top	Top	Top	Top	Top
Manhole Type		Top	Top	Top	Top	Top	Top	Top
Door Position		Top	Top	Top	Top	Top	Top	Top
Insulation Type		Puff	Puff	Puff	Puff	Puff	Puff	Puff
Inlet Connection	mm	51	51	51	51	51	51	51
Outlet Connection	mm	51	51	51	51	51	51	51
Spray Ball	Nos.	1	1	1	1	1	1	1
Ladder		YES	YES	YES	YES	YES	YES	YES
Light with Sight Glass		YES	YES	YES	YES	YES	YES	YES
Air Vent		YES	YES	YES	YES	YES	YES	YES
Leg	Nos.	4	4	4	6	6	8	8

Milk Silo with PUF Insulation



We are one of the leading manufacturers of cold room PUF panels as well as PUF insulated tanks and high grade dairy equipments as per standard specification recommended by NDDB (National Dairy Development Board). We manufacture tanks and dairy equipments as per customer specific requirement. We are using 42 kg/m³ density which is suitable for insulation puff sheet. Making puff sheet is made by fully automated puff machine. PUF Insulation for better thermal stability and full fill tank requirements.

Ammonia Plant

Glycol Chiller - Ammonia Suitable To Per Hour

- Capacity : 5000 LPH to 20000 LPH
- Milk Temperature : 32 to 4 °C



(IBT - COIL IN TANK TYPE)



Capacity :
50,000 LPH to 10,00,000 LPD

08 | enquiry@icemakeindia.com

Advantage

- Requires less connected power load
- The ice water intensively cools the product without any risk
- Power supply is not required once ice formation is completed
- Wide range of storage tank
- Cooling energy storage

Cream, Butter & Ghee



Cream Separator Machine



Cream Tanks



Butter Churner



Butter Melting Vats



Ghee Kettle



Ghee Storage Tank

Lassi Curd & Butter Milk



Curd Incubation with Chilling



Curd Inoculation Tank

Chamber Temperature while Heating : 32°C to 45°C

Chamber Temperature while Cooling : 2°C to 8°C



Paneer



Paneer Coagulation Tank



Manual Paneer Press



Pneumatic Paneer Press



Paneer Block Cooling Tank



Paneer Cutting Table



Paneer Vacuum Packing Machine

CIP System



Single Tank CIP System



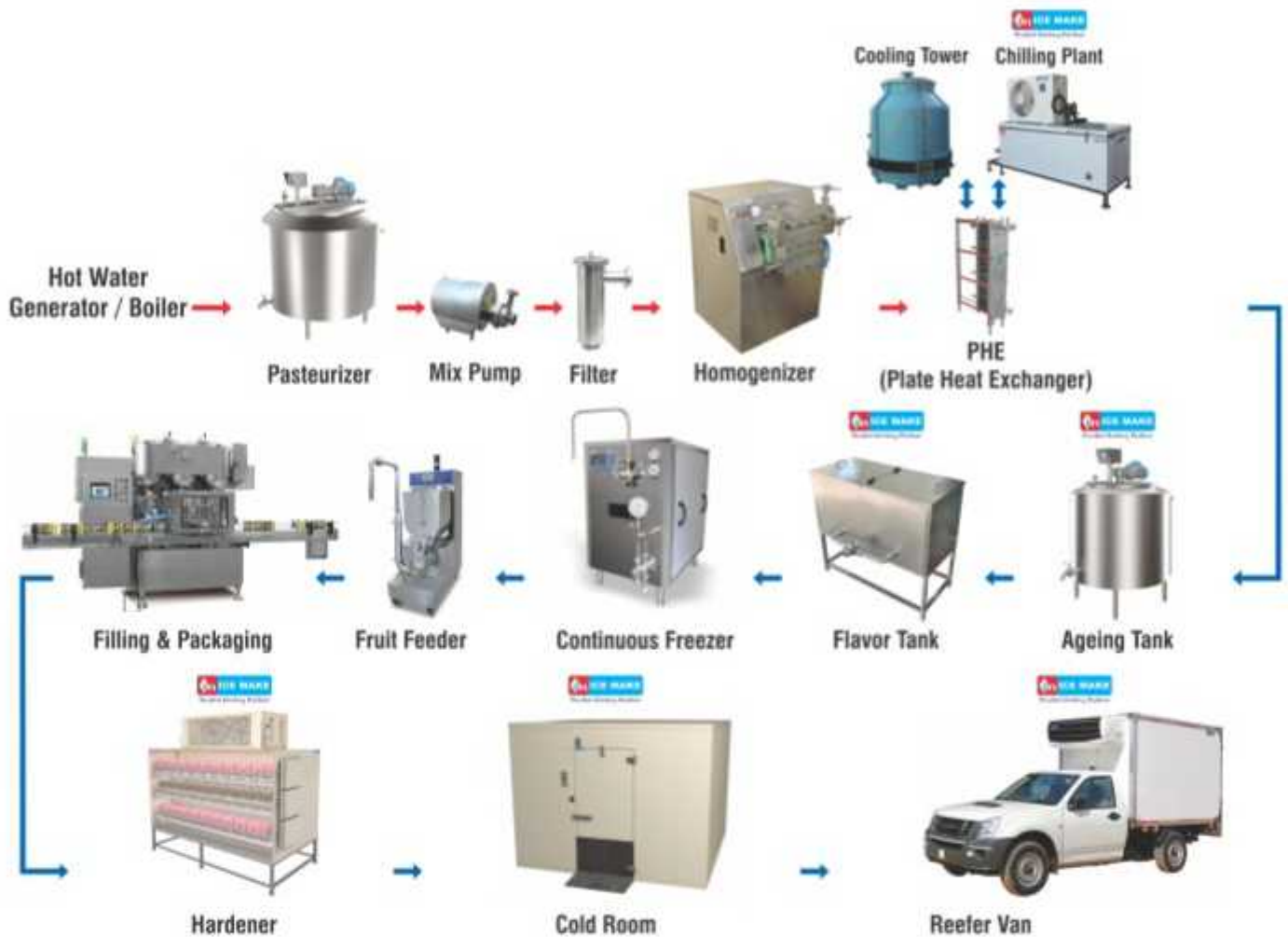
Single / Double Circuit CIP System



Automatic CIP System

Ice cream Processing Machineries

Producing ice cream mix requires knowledge of many different aspects of production, including pasteurization, homogenization, freezing and handling as well as an understanding of how these processes affect your ingredients. To ensure the highest quality ice cream without compromising integrity, uniform mixing of dry and liquid ingredients require optimal dispersion and operational efficiency. Temperatures and timing along with precise control and gentle handling is critical to safeguard product quality.



Ice Cream Mix Plant

ICE MAKE offers a complete range of equipment for ice cream mix preparation for small and medium scale especially designed mix plant unit.



We also offer Bulk Milk Chiller with capacity from 250 Ltr to 10000 Ltr. which is used to cool milk at 4°C and to maintain freshness of milk



MTD-150

MTD-300

MTD-500

MTD-1000



MTD-2000

MTD-5000

MTD-10,000

Mobile – Bulk Milk Chiller

Ice Make Mobile Bulk Milk Chiller can be an essential part of supply chain of liquid milk which help you to cool down milk temperature at + 4 °C to maintain the freshness of milk. This MBMC can be mounted on vehicle and it will be customised in different compartment fitted with an accessories like dump tank, pump, DG set, SS piping for loading-unloading of Milk & CIP process; specially design as per customers requirement.



Mobile – Bulk Milk Chiller

Capacity

2000 Ltr.



Mobile – Bulk Milk Chiller (2 Compartments)

Capacity

6000 Ltr.

GUJARAT

- **Patel Dairy Products Pvt. Ltd.** - (Chhaswala), Ahmedabad
- **Farki** - Ahmedabad
- **Kangaroo Corporation LLP** - Rajkot
- **M.K. Foods** - Surat
- **Gir Velly** - Surat
- **Gir Organic** - Vadodara
- **Ashapura Mawa Bhandar** - Deesa
- **Gir Native** - Patan
- **Rambhai Laxmanbhai Keshwala** - Junagadh

RAJASTHAN

- **My Milk** - Kota
- **Rajeswer Milk** - Raniwada
- **Maruti Dairy** - Badmer
- **Goras Bhandar** - Jaipur
- **Thar Dairy** - Bikaner

MADHYA PRADESH

- **Somani Dudh Sewa** - Dhar (MP)
- **Singha Ji Dairy** - Machalpur (MP)

MAHARASTRA

- **Bansi Dairy** - Nagpur
- **Farm Fresh** - Amravati
- **Sneha Dairy** - Yavatmal
- **Parsi Dairy** - Mumbai

UTTAR PRADESH

- **Modern's Milk and Agro Products (I) Pvt Ltd** - Jaunpur (UP)
- **Gaushala Dairy** - Ayodhya (UP)

ODISHA

- **Rushikulya Agrotech . Ltd.** - Brahmapur

TAMILNADU

- **Indiska Magic** - Chennai
- **Prayag Dairy** - Chennai

EXPORT COUNTRY



Soi Dairy
Kenya



Global Dairy
Nepal



Modern Dairy
Australia



Serker Dairy Plant
Bhutan



Cold Room / Storage

- Cold Room PUF Panels (Discontinuous Type) 60, 80, 100, 125 & 150 mm
- Cold Room Door
- Solar Cold Room
- Glass Door Display Chiller
- Condensing Unit (Air/Water Cooled)
- Evaporator Unit
- Control Panel for Cold Room
- Curd Incubation Chamber
- Ripening Chamber
- Pre-Cooling Chamber
- Blast Freezer & Chiller



Ammonia Refrigeration

- Turnkey Projects for Cold Stores
- Water Chillers for Dairy
- Glycol Chillers for milk deep chilling for dairy
- Glycol chillers for beverage plants
- Glycol chillers for brewery plants
- Water Chillers for Pharma
- LP Receivers with Ammonia Pumps for retrofit plants
- Ice Accumulating Coils
- Atmospheric Condensers



Industrial Refrigeration

- Water Chilling Plant
- Brine Chilling Plant
- Oil Chilling Plant
- Air Chilling Plant
- Ice Building Tank (IBT)



Commercial Refrigeration

- Ice Cream Mix Plant
- Batch Pasteurizer
- Ageing Vat
- Bulk Milk Chiller
- Ice Candy Production Machine
- Ice Cream Hardener (Static/Tunnel Type)
- Mini Blast Freezer & Chiller
- Deep Freezer & Chest Cooler
- Vertical Cooler
- Dairy Freezer
- Under Counter Refrigeration
- Mortuary Chamber
- Heat Pump Food Dehydrator
- Freeze Dryer



Transport Refrigeration

- Refrigerated Container (GRP/GIPP)
- Refrigerated Van - Eutectic (GRP/GIPP)
- Dry Insulated Container (GRP/GIPP)
- Bunk House

TOTAL COLD CHAIN SOLUTION



- Head Office & Manufacturing Plant-I , Dantali Gandhinagar, Gujarat
- Manufacturing Plant-II, Vamaj, Gujarat
- Manufacturing Plant-III, Chennai, Tamilnadu
- Branch Offices, Dealers & Associates and Company Representatives



Trusted Cooling Partner

- Vamaj 11,500 sq. mtr.



- Dantali 342,500 sq.ft



- Chennai 28,500 sq.ft

EXPORT IN OTHER COUNTRY



USA



UGANDA



KENYA



NEPAL



JAPAN



LIBYA



ZAMBIA



ALGERIA



UAE



NIGERIA



SRILANKA



BHUTAN



BAHRAIN



TANZANIA



MADAGASCAR



MALDIVES



MAURITIUS



SEYCHELLES



SIERRA LEONE



CONGO



BANGLADESH



AUSTRALIA



CANADA



COMOROS



GHANA



QATAR



ROMANIA



Trusted Cooling Partner



WEBSITE



CATALOGUE



FEEDBACK

ICE MAKE REFRIGERATION LIMITED

Commercial & Industrial Refrigeration Equipment Manufacturer & Exporter

An ISO 9001:2015, ISO 14001:2015 and ISO 45001:2018 certified Company

Factory: 226, Dantali Industrial Estate, Gota-Vadsar Road, Nr. Ahmedabad City,
At-Dantali, Ta: Kalol, Dist.: Gandhinagar - 382721, Gujarat, India.
Ph.: +91 9879107881/884, Fax: +91-79-27540620

Office: B-1, Vasupujya Chamber, Nr. Navdeep Building, Income-Tax Cross Road, Ashram Road,
Ahmedabad - 380 014, Gujarat, India.
Ph.: +91-79-27540630, Fax: +91-79-27540620

E-mail: enquiry@icemakeindia.com | Web: www.icemakeindia.com
Toll Free Sales No.: 1800-120-5061 | Toll Free Service No.: 1800-120-0230