



Trusted Cooling Partner

YOU CAN BE CARRIER OF VIRUS

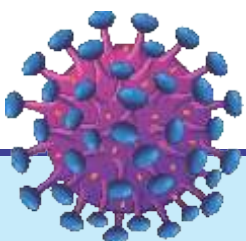


DISINFECTION WALK-THROUGH TUNNEL THAT WILL MAKE YOU FREE FROM UNWANTED GERMS

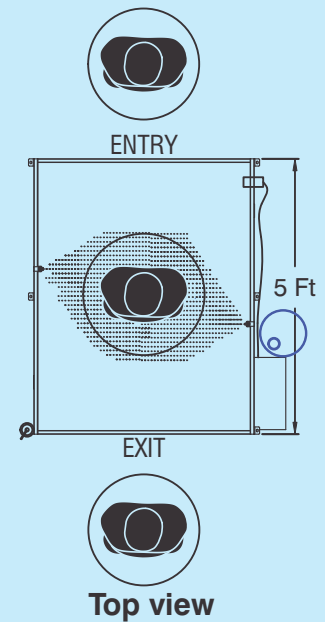
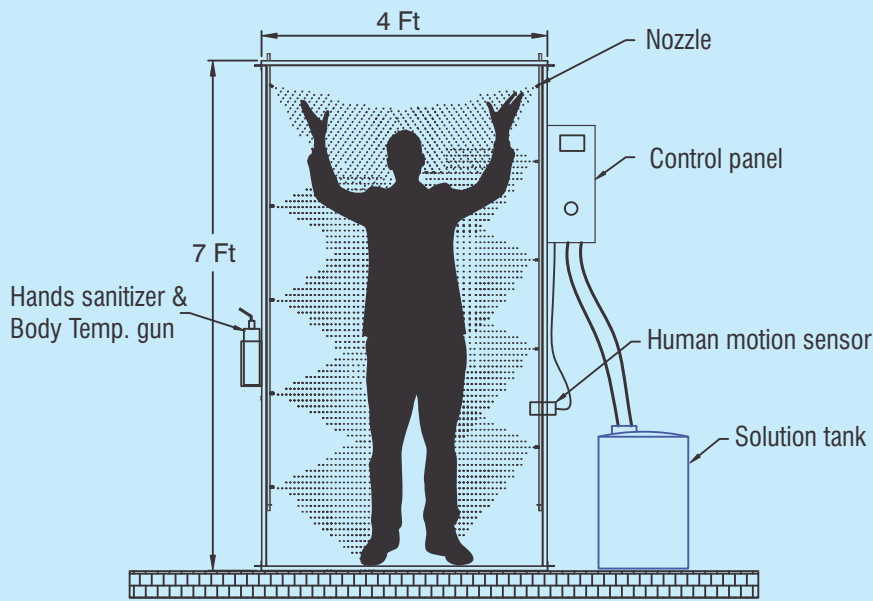
The serious global situation Covid-19 has led us to create a solution called Disinfection Tunnel that can be installed anywhere near to entry and exit gate of industrial and government office complex. These disinfection tunnel finely spray disinfectant on people passing through it, effectively sanitising them in safe manner.

The Disinfection Walk-Through Tunnel is designed for decontamination of personnel, one person at a time and it represents a safe protection for everyone, in particular for those who work in close contact with groups and are therefore at higher risk.

This tunnel is designed to spray on to the body for a quick sterilization to a liquid based on the application of water mixed chemical compounds like Ionized Saline Solution, Isopropyl Alcohol, Hydrogen Peroxide, Ethanol, Isopropanol, etc. The tunnel is installed with a sensor so that when a person approaches the tunnel entrance, it starts spraying automatically with sanitizer.



+91 9727720948 | www.icemakeindia.com



Technical Specification:

- Chamber size (LxWxH): 5 x 4 x 7 Feet
- Power supply: 1 Ph, 230 V
- Pump: 24V DC, 2.5A, 5.0 LPM
- No. of nozzle: 10
- Working pressure: 100 to 150 PSI
- Solution consumption: 35 to 40 ml per person for 10 sec duration
- Solution tank capacity: 20 L
- Smart people movement detection



Solution Guideline:

Recommended 1% sodium hypochlorite solution (Bleach) and underlying preparation method

Product	Available Chlorine	1 Percent
Sodium hypochlorite-liquid bleach	3.50%	1 L Bleach to 2.5 L water
Sodium hypochlorite-liquid	5%	1 L Bleach to 4 L water
NaDCC (Sodium dischloroisocyanurate) powder	60%	17 gm to 1 L water
NaDCC (1.5g/tablet) tablets	60%	11 tablets to 1 L water
Chloramine-powder	25%	80 gm to 1 L water
Bleaching powder	70%	7 gm to 1 L water

Benefits:

- Fully-automatic disinfection without requirement of personnel employment
- Controlled spray to prevent wet floor
- Low maintenance cost
- Robust hardware for continues operation
- Cost effective and Economical
- Easy assemble

Contact: +91 9727720948

ICE MAKE REFRIGERATION LIMITED

226, Dantali Industrial Estate, Gota-Vadsar Road, Nr. Ahmedabad City, At-Dantali, Ta: Kalol,
 Dist.: Gandhinagar - 382721, Gujarat, India. • Ph.: +91 9879107881/884, Fax: +91-79-27540620
 E-mail: enquiry@icemakeindia.com | Web: www.icemakeindia.com
 Toll Free Sales No.: 1800-120-5061 | Toll Free Service No.: 1800-120-0230